

# 2024 Coyote Price Sheet

V24.0 Effective February 1, 2024

**COYOTE**  
Outdoor Living



**MD**  
MILESTONE  
DISTRIBUTORS

# WARRANTY AND SERVICE INFORMATION

Coyote Outdoor warrants to the original purchaser at the original site of delivery with proof of purchase of each outdoor gas grill / side burner that when subject to normal residential use, it is free from defects in workmanship and materials for the periods specified below. This warranty excludes grills used in rental and commercial applications. This warranty excludes surface corrosion, scratches, and discoloration which may occur during regular use. It does NOT cover labor or labor related charges. There will be shipping and handling charge for the delivery of the warranty part(s).

**COMPONENT WARRANTY PERIOD**

|  |                   |
|--|-------------------|
| Cooking Grids (no rust or burn through) .....          | 5 years (limited) |
| Flavorizer Bars (no rust or burn through).....         | 2 years (limited) |
| Electric/Plastic Components .....                      | 2 years (limited) |
| Ignition systems/Valves .....                          | 1 year (limited)  |
| Stainless steel frame/housing .....                    | Limited Lifetime  |
| Stainless Steel Burners (no rust or burn through)..... | Limited Lifetime  |

Our obligation under this warranty is limited to repair or replacement, at our option, of the product during the warranty period. The extent of any liability of Coyote under this warranty is limited to repair or replacement. This warranty does not cover normal wear of parts, damage resulting from any of the following: negligent use or misuse of the product, use on improper fuel/gas supply, use contrary to operating instructions, or alteration by any person other than a factory service center. The warranty period is not extended by such repair or replacement.

Visit [www.coyoteoutdoor.com](http://www.coyoteoutdoor.com) for additional information

# COYOTE OUTDOOR LIVING

Coyote Outdoor Living was conceived to bring to market a suite of products that allow consumers to create the outdoor kitchen of their dreams.

The cornerstone of the lineup is the Coyote grill. In all of the available barbeque models, the Coyote grill marries solid construction with strong aesthetics and remarkable performance. Designed to endure, the Coyote grill will be the heart of the outdoor living space. The ease of use coupled with a great cooking performance makes the Coyote grill a must have for your outdoor kitchen.

To compliment the grill, Coyote Outdoor Living offers a branded living space that will aesthetically and functionally enhance all outdoor cooking areas. The current Coyote outdoor offering includes a broad range of storage solutions, secondary cooking options, refrigeration, and more.

Whether you are creating an intimate outdoor cooking oasis or an extravagant outdoor kitchen design, Coyote has the product to make your space the envy of the neighborhood.

## TABLE OF CONTENTS

|   | <b>Page(s)</b> |
|---|----------------|
| Warranty and Service Information  | 2              |
| Features and Benefits   | 4              |
| C-Series Grills   | 5              |
| 28" C-Series Grills   | 5              |
| 34" C-Series Grills   | 5              |
| 36" C-Series Grills   | 5              |
| C-Series Accessories  | 6 - 7          |
| S-Series Grills   | 8              |
| 30" S-Series Grills   | 8              |
| 36" S-Series Grills   | 8              |
| 42" S-Series Grills   | 8              |
| Milestone Exclusive Grill   | 9              |
| S-Series Accessories  | 10             |
| Hybrid & Grilling Accessories   | 11             |
| Pellet Grill & Pellet Grill Accessories   | 12             |
| Flat Top Grill  | 13             |
| Charcoal & Asado Grills & Grilling Accessories  | 14             |
| Pizza Oven  | 15             |
| Power Burner & Side Burners   | 16             |
| Electric and Portable Grills  | 17             |
| Warming Drawer, Universal Carts   | 18             |
| Access Doors / Drawers / Cabinets / Storage Product / Combination Storage & Accessories | 19 - 21        |
| Refrigeration, Drop-in Cooler, Refreshment Center and Sink                              | 22             |
| Ventilation   | 23             |

## FEATURES AND BENEFITS

### All of our grills feature:

- Complete 304 stainless steel construction, including:
    - Cast Pro-Style stainless steel Infinity Burners™, grates and component parts
    - Double walled, stainless steel hood
    - Continuous weld on the grill box with seamless edges
  - Interior grill lighting (excluding C1S36)
  - Stainless steel Heat Control Grids™ “C-Series”
  - Ceramic briquette Heat Control Grids™ “S-Series”
  - Limited lifetime warranty on burners and stainless steel exterior
- Independent burner ignition system



### Grill Carts

- Industrial quality; lockable casters
- Self Closing Door/Drawers



### Full Line of Competitively Priced Grill Accessories including:

- Side Burners
- Access Doors
- Drawers
- Drop-in Coolers
- Competitively priced Refrigeration
- Insulated Jackets
- Grill and Accessory Covers





## C-SERIES GRILLS

The Coyote C-Series grills are made to meet the needs of the most demanding grill masters. The C-Series features premium stainless steel construction with cast stainless steel burners, grates and components. All C-Series grills feature double-walled canopies and a continuously welded grill box with seamless edging. All C-series grills also have a stainless warming rack and Coyote's Heat Control Grids™.



### 28" C-Series Grill

- (2) Cast high performance Coyote Infinity Burners
- 640 sq. in. cooking area
- Up to 40,000 BTUs
- Interior grill lighting
- 304 stainless steel



### 34" C-Series Grill

- (3) Cast high performance Coyote Infinity Burners
- 780 sq. in. cooking area
- Up to 60,000 BTUs
- Interior grill lighting
- 304 stainless steel



### 36" C-Series Grill

- (4) Cast high performance Coyote Infinity Burners
- 875 sq. in. cooking area
- Up to 80,000 BTUs
- Interior grill lighting
- 304 stainless steel



### 42" C-Series Grill

- (5) Cast high performance Coyote Infinity Burners
- 1275 sq. in. cooking area
- Up to 100,000 BTU
- Interior grill lighting
- 304 stainless steel

| MODEL                 | DESCRIPTION   | TARGET SELL PRICE | MAP        |
|-----------------------|---|-------------------|------------|
| C1C28LP               | Coyote 28" Grill with Infinity Burners; LP Gas              | \$1,399.00        | \$1,349.00 |
| C1C28NG               | Coyote 28" Grill with Infinity Burners; Natural Gas         | \$1,399.00        | \$1,349.00 |
| C1C28LP-FS            | Coyote 28" Grill on Cart with Infinity Burners; LP Gas      | \$1,649.00        | \$1,599.00 |
| C1C28NG-FS            | Coyote 28" Grill on Cart with Infinity Burners; Natural Gas | \$1,649.00        | \$1,599.00 |
| C2C34LP               | Coyote 34" Grill with Infinity Burners; LP Gas              | \$2,049.00        | \$1,999.00 |
| C2C34NG               | Coyote 34" Grill with Infinity Burners; Natural Gas         | \$2,049.00        | \$1,999.00 |
| C2C36LP               | Coyote 36" Grill with Infinity Burners; LP Gas              | \$2,349.00        | \$2,299.00 |
| C2C36NG               | Coyote 36" Grill with Infinity Burners; Natural Gas         | \$2,349.00        | \$2,299.00 |
| C2C42LP               | Coyote 42" Grill with Infinity Burners; LP Gas              | \$2,549.00        | \$2,499.00 |
| C2C42NG               | Coyote 42" Grill with Infinity Burners; Natural Gas         | \$2,549.00        | \$2,499.00 |
| <b>C-SERIES CARTS</b> |   |                   |            |
| MODEL                 | DESCRIPTION   |                   | MAP        |
| C1C34CT               | 34" Cart for "C" Series Grills                              |                   | \$899.00   |
| C1S36CT               | 36" Cart for "C" Series Grills                              |                   | \$899.00   |
| C1S42CT               | 42" Cart for "C" Series Grills                              | \$1,259.00        | \$1,199.00 |

# C-SERIES ACCESSORIES

| MODEL      | DESCRIPTION   | TARGET SELL PRICE | MAP      |
|------------|---|-------------------|----------|
| C1CSBLP    | Single Side Burner for Carts; LP Gas  | \$949.00          | \$899.00 |
| C1CSBNG    | Single Side Burner for Carts; Natural Gas                                       | \$949.00          | \$899.00 |
| CJAKTCC2   | Insulated Jacket for 28"W Grills  |                   | \$679.00 |
| CJAKTCC3   | Insulated Jacket for 34"W Grills  |                   | \$749.00 |
| CJAKTCS36  | Insulated Jacket for 36"W Grills  |                   | \$769.00 |
| CJAKTCS42  | Insulated Jacket for 42"W Grills  |                   | \$879.00 |
| CCVR2-BIG  | Grill Cover (Grill Head Only) for 28"W Grills Gray - <b>NEW- Replaces Black</b> |                   | \$79.00  |
| CCVR2-CTG  | Grill Cover (Grill plus Cart) for 28"W Grills Gray - <b>NEW- Replaces Black</b> |                   | \$125.00 |
| CCVR3-BIG  | Grill Cover (Grill Head Only) for 34"W Grills Gray - <b>NEW- Replaces Black</b> |                   | \$99.00  |
| CCVR3-CT   | Grill Cover (Grill plus Cart) for 34"W Grills - <b>While Supplies Last</b>      |                   | \$149.00 |
| CCVR3-CTG  | Grill Cover (Grill plus Cart) for 34"W Grills Gray - <b>NEW- Replaces Black</b> |                   | \$149.00 |
| CCVR36-BIG | Grill Cover (Grill Head Only) for 36"W Grills Gray - <b>NEW- Replaces Black</b> |                   | \$99.00  |
| CCVR36-CTG | Grill Cover (Grill plus Cart) for 36"W Grills Gray - <b>NEW- Replaces Black</b> |                   | \$149.00 |
| CCVR42-BIG | Grill Cover (Grill Head Only) for 42"W Grills Gray - <b>NEW- Replaces Black</b> |                   | \$99.00  |
| CCVR42-CT  | Grill Cover (Grill plus Cart) for 42"W Grills - <b>While Supplies Last</b>      |                   | \$179.00 |
| CCVR42-CTG | Grill Cover (Grill plus Cart) for 42"W Grills Gray - <b>NEW- Replaces Black</b> |                   | \$179.00 |
| CROT2      | Rotisserie Kit for 28"W Grills  |                   | \$329.00 |
| CROT3      | Rotisserie Kit for 34"W Grills  |                   | \$329.00 |
| CROT36     | Rotisserie Kit for 36"W Grills  |                   | \$329.00 |
| CROT42     | Rotisserie Kit for 42"W Grills  |                   | \$329.00 |
| CLPREG     | LP Regulator w/ hose for hookup to tank   |                   | \$79.00  |
| CINLNREG   | LP Regulator for use when home is plumbed for LP gas                            |                   | \$79.00  |
| CNGREG     | Natural Gas Regulator   |                   | \$79.00  |
| C1WG28     | Wind Guard for 28"W Grills  |                   | \$79.00  |
| CWG34      | Wind Guard for 34"W Grills  |                   | \$60.00  |
| CWG36      | Wind Guard for 36"W Grills  |                   | \$64.00  |
| CWG42      | Wind Guard for 42"W Grills  |                   | \$69.00  |
| C128LP2NG  | Conversion Kit LP to Nat'l for C1C28 GRILL                                      |                   | \$179.00 |
| C128NG2LP  | Conversion Kit Nat'l to LP for C1C28 GRILL                                      |                   | \$179.00 |
| C2LP2NG    | Conversion Kit LP to Nat'l for C-Series & S-Series                              |                   | \$179.00 |
| C2NG2LP    | Conversion Kit Nat'l to LP for C-Series & S-Series                              |                   | \$179.00 |
| CSIGRATE15 | Signature Grates 3 pk for 28", 30" & 42" Grills                                 |                   | \$459.00 |
| CSIGRATE12 | Signature Grates 3 pk for 34" & 36" Grills                                      |                   | \$459.00 |
| CCHTRAY15  | Charcoal Tray 1 pc for 28", 30" & 42" Grills                                    |                   | \$169.00 |
| CCHTRAY12  | Charcoal Tray 1 pc for 34" & 36" Grills   |                   | \$169.00 |
| CBRIQ28    | 28" Ceramic Heat Control Grid Briquettes (2 pc set)                             |                   | \$140.00 |
| CBRIQ34    | 34" Ceramic Heat Control Grid Briquettes (3 pc set)                             |                   | \$229.00 |
| C2BRIQ36   | 36" Ceramic Heat Control Grid Briquettes (4 pc set)                             |                   | \$349.00 |
| C2BRIQ42   | 42" Ceramic Heat Control Grid Briquettes (5 pc set)                             |                   | \$399.00 |
| COYVENT    | Stainless Steel Island Vent <b>**2 VENTS IN BOX**</b>                           |                   | \$79.00  |
| CSBX       | Smoker Box  |                   | \$69.00  |
| C1GRDL     | Heavy Duty Drop-In Griddle For C Series, S Series & Hybrid Grills               |                   | \$499.00 |

## S-SERIES GRILLS

The Coyote S-Series grills combines ultra-premium power, function and performance with design and durability. The S-Series features premium stainless steel construction with cast stainless steel burners, grates and component parts. All S-Series grills feature double-walled canopies and a continuously welded grill box with seamless edging. All S-Series grills also have a stainless warming rack and Coyote's Heat Control Grids™ and include interior grill lighting (excluding C1S36) and smoker boxes as standard features. Backlit knobs available with S-Series grills (excluding C1S36).



### 30" S-Series Grill

- (2) high performance Coyote Infinity Burners™, plus one infrared rear burner, plus one Coyote RapidSear™ infrared burner
- 700 sq. in. cooking area
- Up to 70,000 BTU
- 304 stainless steel
- Interior grill lighting
- LED illuminated knobs
- Ceramic Briquette Grids



### 36" S-Series Grill

- (3) high performance Coyote Infinity Burners™, plus one infrared rear burner, plus one Coyote RapidSear™ infrared burner
- 875 sq. in. cooking area
- Up to 90,000 BTUs
- 304 stainless steel
- Interior grill lighting
- LED illuminated knobs
- Ceramic Briquette Grids



### 42" S-Series Grill

- (4) high performance Coyote Infinity Burners™, plus one infrared rear burner, plus one Coyote RapidSear™ infrared burner
- 1275 sq. in. cooking area
- Up to 110,000 BTUs
- 304 stainless steel
- Interior grill lighting
- LED illuminated knobs
- Ceramic Briquette Grids

| MODEL       | DESCRIPTION   | TARGET<br>SELL PRICE | MAP        |
|-------------|---|----------------------|------------|
| C2SL30LP    | Coyote 30" Grill; LED Lights, Infinity Burners, Ceramic Heat Grids, LP Gas              | \$2,799.00           | \$2,749.00 |
| C2SL30NG    | Coyote 30" Grill; LED Lights, Infinity Burners, Ceramic Heat Grids, Natural Gas         | \$2,799.00           | \$2,749.00 |
| C2SL30LP-FS | Coyote 30" Grill On Cart; LED Lights, Infinity Burners, Ceramic Heat Grids, LP Gas      | \$3,899.00           | \$3,849.00 |
| C2SL30NG-FS | Coyote 30" Grill On Cart; LED Lights, Infinity Burners, Ceramic Heat Grids, Natural Gas | \$3,899.00           | \$3,849.00 |
| C2SL36LP    | Coyote 36" Grill; LED Lights; Infinity Burners; Ceramic Heat Grids, LP Gas              | \$3,349.00           | \$3,299.00 |
| C2SL36NG    | Coyote 36" Grill; LED Lights; Infinity Burners; Ceramic Heat Grids, Natl Gas            | \$3,349.00           | \$3,299.00 |
| C2SL42LP    | Coyote 42" Grill; LED Lights; Infinity Burners; Ceramic Heat Grids, LP Gas              | \$4,349.00           | \$4,299.00 |
| C2SL42NG    | Coyote 42" Grill; LED Lights; Infinity Burners; Ceramic Heat Grids, Natl Gas            | \$4,349.00           | \$4,299.00 |
| CARTS       | DESCRIPTION   |                      | MAP        |
| C1S36CT     | 36" Cart "S" Series Grills  |                      | \$899.00   |
| C1S42CT     | 42" Cart for "S" Series Grill   |                      | \$1,199.00 |

# MILESTONE EXCLUSIVE GRILL

The Coyote S-Series grills combines ultra-premium power, function and performance with design and durability. The S-Series features premium stainless steel construction with cast stainless steel burners, grates and component parts. All S-Series grills feature double-walled canopies and a continuously welded grill box with seamless edging.

### 36" S-Series Grill



- Three high performance Coyote I-Burners™
- One infrared rear burner
- One Coyote RapidSear™ infrared burner
- 875 sq. in. cooking area
- Up to 75,000 BTU
- Complete 304 stainless steel construction
- Interior grill lighting
- Rotisserie kit and smoker box included
- Integrated wind guard
- Heat control grids

| MODEL   | DESCRIPTION                                  | TARGET SELL PRICE | MAP        |
|---------|--|-------------------|------------|
| C1S36LP | Coyote 36" Grill with I-Burners; LP Gas      | \$2,549.00        | \$2,499.00 |
| C1S36NG | Coyote 36" Grill with I-Burners; Natural Gas | \$2,549.00        | \$2,499.00 |
| CARTS   | DESCRIPTION                                  |                   | MAP        |
| C1S36CT | 36" Cart "S" Series Grills                   |                   | \$899.00   |



## S-SERIES ACCESSORIES

| MODEL      | DESCRIPTION  | TARGET<br>SELL PRICE | MAP      |
|------------|--|----------------------|----------|
| C1CSBLP    | Single Side Burner for Carts; LP Gas                                     | \$949.00             | \$899.00 |
| C1CSBNG    | Single Side Burner for Carts; Natural Gas                                | \$949.00             | \$899.00 |
| CJAKTCS30  | Insulated Jacket for 30"W Grills   |                      | \$699.00 |
| CJAKTCS36  | Insulated Jacket W/O Drawer for 36"W Grills                              |                      | \$769.00 |
| CJAKTCS42  | Insulated Jacket W/O Drawer for 42"W Grills                              |                      | \$879.00 |
| CCVR30-BIG | Grill Cover (Grill Head Only) for 30"W Grills Gray - NEW- Replaces Black |                      | \$99.00  |
| CCVR30-CT  | Grill Cover (Grill plus Cart) for 30"W Grills - While Supplies Last      |                      | \$149.00 |
| CCVR30-CTG | Grill Cover (Grill plus Cart) for 30"W Grills Gray - NEW- Replaces Black |                      | \$149.00 |
| CCVR36-BIG | Grill Cover (Grill Head Only) for 36"W Grills Gray - NEW- Replaces Black |                      | \$99.00  |
| CCVR36-CTG | Grill Cover (Grill plus Cart) for 36"W Grills Gray - NEW- Replaces Black |                      | \$149.00 |
| CCVR42-BIG | Grill Cover (Grill Head Only) for 42"W Grills Gray - NEW- Replaces Black |                      | \$99.00  |
| CCVR42-CT  | Grill Cover (Grill plus Cart) for 42"W Grills - While Supplies Last      |                      | \$179.00 |
| CCVR42-CTG | Grill Cover (Grill plus Cart) for 42"W Grills Gray - NEW- Replaces Black |                      | \$179.00 |
| CROT36     | Rotisserie Kit for 36"W Grills   |                      | \$329.00 |
| CROT42     | Rotisserie Kit for 42"W Grills   |                      | \$329.00 |
| CLPREG     | LP Regulator w/ hose for hookup to tank                                  |                      | \$79.00  |
| CINLNREG   | LP Regulator for use when home is plumbed for LP gas                     |                      | \$79.00  |
| CNGREG     | Natural Gas Regulator  |                      | \$79.00  |
| CWG30      | Wind Guard for 30"W Grills   |                      | \$59.00  |
| CWG36      | Wind Guard for 36"W Grills   |                      | \$64.00  |
| CWG42      | Wind Guard for 42"W Grills   |                      | \$69.00  |
| C1SLP2NG   | Conversion Kit LP to Nat'l for C1S36 GRILLS                              |                      | \$179.00 |
| C1SNG2LP   | Conversion Kit Nat'l to LP for C1S36 GRILLS                              |                      | \$179.00 |
| C2LP2NG    | Conversion Kit LP to Nat'l for C-Series & S-Series                       |                      | \$179.00 |
| C2NG2LP    | Conversion Kit Nat'l to LP for C-Series & S-Series                       |                      | \$179.00 |
| CSIGRATE15 | Signature Grates 3 pk for 28", 30" & 42" Grills                          |                      | \$459.00 |
| CSIGRATE12 | Signature Grates 3 pk for 34" & 36" Grills                               |                      | \$459.00 |
| CCHTRAY15  | Charcoal Tray 1 pc for 28" , 30" & 42" Grills                            |                      | \$169.00 |
| CCHTRAY12  | Charcoal Tray 1 pc for 34" & 36" Grills                                  |                      | \$169.00 |
| CBRIQ36    | 36" Ceramic Flavorizer (3 pc set) for C2SL36 grills                      |                      | \$229.00 |
| CBRIQ42    | 42" Ceramic Flavorizer (4 pc set) for C2SL42 grills                      |                      | \$299.00 |
| COYVENT    | Stainless Steel Island Vent **2 VENTS IN BOX**                           |                      | \$79.00  |
| CSBX       | Smoker Box   |                      | \$69.00  |
| C1GRDL     | Heavy Duty Drop-In Griddle For C Series, S Series & Hybrid Grills        |                      | \$499.00 |

## HYBRID GRILLS

The Coyote Hybrid grill is the ultimate grill for the “Renaissance” Outdoor Chef. Choose the ultra-premium power, function and performance of a Coyote gas grill or go for the flavorful, authentic experience of cooking or smoking in a charcoal grill... the choice is yours. The grill features premium stainless steel construction with double-walled, dual canopies and continuously hand-welded grill boxes with seamless edging. The hybrid grill also has a stainless warming rack and Coyote’s Heat Control Grids™.



### 50” Hybrid Charcoal and Gas Grill

#### Charcoal Grill

- Adjustable fuel tray
- Over 600 sq. in. of grilling surface
- For use with charcoal or wood chips

#### Gas Grill

- 2 high performance Coyote I-Burners™
- Over 600 sq. in. of grilling surface
- Up to 40,000 BTU
- Interior lights

| HYBRID GRILL |   |                   |            |
|--------------|---|-------------------|------------|
| MODEL        | DESCRIPTION   | TARGET SELL PRICE | MAP        |
| C1HY50LP     | Coyote 50” Hybrid Gas & Charcoal Grill; LP Gas      | \$4,649.00        | \$4,599.00 |
| C1HY50NG     | Coyote 50” Hybrid Gas & Charcoal Grill; Natural Gas | \$4,649.00        | \$4,599.00 |
| CARTS        | DESCRIPTION   |                   | MAP        |
| C1HY50CT     | Cart for C1HY50 Grill                               |                   | \$1,349.00 |

| C1HY50 ACCESSORIES | DESCRIPTION  | TARGET SELL PRICE | MAP      |
|--------------------|--|-------------------|----------|
| C1CSBLP            | Single Side Burner for Carts; LP Gas   | \$949.00          | \$899.00 |
| C1CSBNG            | Single Side Burner for Carts; Natural Gas  | \$949.00          | \$899.00 |
| CCVR50-BI          | Grill Cover (Grill Head Only) for Hybrid Grill - <i>While Supplies Last</i>      |                   | \$99.00  |
| CCVR50-BIG         | Grill Cover (Grill Head Only) for Hybrid Grill Gray - <i>NEW- Replaces Black</i> |                   | \$99.00  |
| CCVR50-CT          | Grill Cover (Grill Plus Cart) for Hybrid Grill - <i>While Supplies Last</i>      |                   | \$199.00 |
| CCVR50-CTG         | Grill Cover (Grill Plus Cart) for Hybrid Grill Gray - <i>NEW- Replaces Black</i> |                   | \$199.00 |
| CLPREG             | LP Regulator w/ hose for hookup to tank  |                   | \$79.00  |
| CINLNREG           | LP Regulator for use when home is plumbed for LP gas                             |                   | \$79.00  |
| CNGREG             | Natural Gas Regulator  |                   | \$79.00  |
| C136LP2NG          | Conversion Kit LP to Nat'l FOR C1HY50 GRILLS                                     |                   | \$179.00 |
| C136NG2LP          | Conversion Kit Nat'l to LP FOR C1HY50 GRILLS                                     |                   | \$179.00 |
| CBRIQ50            | 50” Ceramic Briquettes (2 pc set)  |                   | \$159.00 |
| CSBX               | Smoker Box   |                   | \$69.00  |
| C1GRDL             | Heavy Duty Drop-In Griddle For C Series, S Series & Hybrid Grills                |                   | \$499.00 |
| COYVENT            | Stainless Steel Island Vent **2 VENTS IN BOX**                                   |                   | \$79.00  |

## PELLET GRILL



### PELLET GRILL



**C1P28**



**C1P36**

- Intuitive digital touch control
- Dual fan, auger, drip tray
- Smart drop™ pellet feed
- Front loading pellet hopper
- Spring assist hood
- Double walled, gasket-lined canopy
- Versa-Rack™ included for multiple grilling levels
- 304 Stainless steel
- Interior grill lighting
- LED light for temperature probes
- Laser cut grates
- Built-in timer
- 3 food temperature probes included
- Electric power ignition (120V; 5A; 60HZ)
- Built-in wind guard
- Individual smoke & sear grate included
- Hopper capacity: 12 - 15 lbs
- Temperature Range: 175°F - 650°F for 28"
- Temperature Range: 175°F - 700°F for 36"

| MODEL                    | DESCRIPTION  | TARGET<br>SELL PRICE | MAP        |
|--------------------------|--|----------------------|------------|
| C1P28                    | Coyote 28" Pellet Grill  | \$3,049.00           | \$2,999.00 |
| C1P36                    | Coyote 36" Pellet Grill  | \$3,549.00           | \$3,499.00 |
| C1P28-FS                 | Coyote 28" Pellet Grill and Cart                                       | \$3,549.00           | \$3,499.00 |
| C1P36-FS                 | Coyote 36" Pellet Grill and Cart                                       | \$4,449.00           | \$4,399.00 |
| PELLET GRILL ACCESSORIES |  |                      | MAP        |
| CJAKTC1P28               | 28" Pellet Grill Insulated Jacket                                      |                      | \$749.00   |
| CJAKTC1P36               | 36" Pellet Grill Insulated Jacket                                      |                      | \$879.00   |
| CCVR28P-BIG              | Grill Cover Built-In for 28" Pellet Grill Gray - NEW- Replaces Black   |                      | \$99.00    |
| CCVR2-CTG                | Grill Cover (Grill plus Cart) for 28" Grill Gray - NEW- Replaces Black |                      | \$125.00   |
| CCVR36P-BIG              | Grill Cover Built-In for 36" Pellet Grill Gray - NEW- Replaces Black   |                      | \$109.00   |
| CCVR36-CTG               | Grill Cover (Grill plus Cart) for 36" Grill Gray - NEW- Replaces Black |                      | \$149.00   |
| CSTUBE                   | Smoker Tube for Pellet Grill   |                      | \$29.00    |

## FLAT TOP GRILL



### Model No. C1FTG30

- Two individually and accurately controlled heat zones
- Heavy gauge food grade cooking surface allows for even heating and easy cleaning
- LED light safety feature indicated when gas supply is on or off
- 400 sq. in. cooking area
- Up to 17k BTU per burner (2 burners total)
- Complete 304 stainless steel construction
- Includes stainless steel cover for cooking surface
- Removable grease trap easily accessible
- Available as a built-in or free-standing

| MODEL                             | DESCRIPTION   | TARGET<br>SELL PRICE | MAP        |
|-----------------------------------|---|----------------------|------------|
| C1FTG30LP                         | 30" Flat Top Grill Built-in; LP   | \$2,149.00           | \$2,099.00 |
| C1FTG30NG                         | 30" Flat Top Grill Built-in; NG   | \$2,149.00           | \$2,099.00 |
| <b>FLAT TOP GRILL CART</b>        |   |                      | <b>MAP</b> |
| C1FTCART                          | 30" Flat Top Grill Cart   |                      | \$999.00   |
| <b>FLAT TOP GRILL ACCESSORIES</b> |   |                      | <b>MAP</b> |
| CJAKTCS30                         | Insulated Jacket for 30"W Grills; Including Flat Top Grill                  |                      | \$699.00   |
| CCVRFT-BIG                        | Cover for 30" Built-In Flat Top Grill Gray - <b>NEW- Replaces Black</b>     |                      | \$79.00    |
| CCVRFT-CT                         | Cover for 30" Freestanding Flat Top Grill - <b>While Supplies Last</b>      |                      | \$129.00   |
| CCVRFT-CTG                        | Cover for 30" Freestanding Flat Top Grill Gray - <b>NEW- Replaces Black</b> |                      | \$129.00   |
| C1FTLP2NG                         | LP to NG Conversion Kit for Flat Top Grill                                  |                      | \$179.00   |
| C1FTNG2LP                         | NG to LP Conversion Kit for Flat Top Grill                                  |                      | \$179.00   |

## CHARCOAL GRILLS

Many outdoor cooking enthusiasts appreciate how charcoal grilling and smoking can almost seem poetic... the slow cooking, the importance of precision temperature control, the natural smells; the style is truly a culinary art form. Coyote Outdoor Living's charcoal grills and smokers bring our promise of passion, design and value to this art form.



### 36" Charcoal Grill

- Over 875 Sq. In. Cooking Area
- For Use With Charcoal Or Wood Chips
- Adjustable dampers for controlling air flow

| CHARCOAL GRILL       |  |                   |            |
|----------------------|--|-------------------|------------|
| MODEL                | DESCRIPTION  | TARGET SELL PRICE | MAP        |
| C1CH36               | Coyote 36" Charcoal Grill  | \$2,649.00        | \$2,599.00 |
| CARTS                | DESCRIPTION  |                   | MAP        |
| C1CH36CT             | 36" Cart for Charcoal Grill  |                   | \$999.00   |
| CHARCOAL ACCESSORIES |  |                   |            |
| CCVR36-BIG           | Grill Cover (Grill Head Only) for 36"W Grills Gray - NEW- Replaces Black |                   | \$99.00    |
| CCVR36-CTG           | Grill Cover (Grill plus Cart) for 36"W Grills Gray - NEW- Replaces Black |                   | \$149.00   |
| CWG36                | Wind Guard for 36"W Grills   |                   | \$64.00    |
| CROT36               | Rotisserie Kit for 36" Grills  |                   | \$329.00   |
| COYVENT              | Stainless Steel Island Vent **2 VENTS IN BOX**                           | \$83.00           | \$79.00    |



### C1CHCS ASADO SMOKER

- Coyote Signature Smoking Grate™
- Heat-resistant ceramic construction
- 254 sq. in. of cooking area
- Adjustable venting to maintain precise cooking temperatures
- Smoke, sear, grill option
- Optional cart with side shelves (model no. C1CHCS-FS)

| ASADO SMOKER      |  |                   |            |
|-------------------|--|-------------------|------------|
| MODEL             | DESCRIPTION  | TARGET SELL PRICE | MAP        |
| C1CHCS            | Smoker Only - CANNOT USE SIDE SHELVES IF COMBINING WITH C1CHS-CT STAND                   | \$1,249.00        | \$1,199.00 |
| C1CHCS-FS         | Smoker with Stand and Side Shelves   | \$1,549.00        | \$1,499.00 |
| C1CHCS-CT         | Stand with Side Shelves  |                   | \$429.00   |
| ASADO ACCESSORIES |  |                   |            |
| ASADO-PS          | Pizza Stone  |                   | \$79.00    |
| ASADO-HD          | Asado Heat Deflector   |                   | \$99.00    |
| ASADO-CT          | Beer Can Chicken Holder / Throne   |                   | \$59.00    |
| ASADO-GG          | Grid / Grate Gripper (to safely & easily remove cooking grate)                           |                   | \$49.00    |
| ASADO-CVRG        | Asado Cover Gray - NEW- Replaces Black   |                   | \$109.00   |
| ASADO-ACC         | Asado Acey Bundle inc Pizza Stone, Heat Deflector, Chicken Throne, Grid Grippers & Cover |                   | \$279.00   |
| C1SLV             | Asado/Power Burner Insert Sleeve with Storage Drawer                                     |                   | \$849.00   |



## PIZZA OVEN

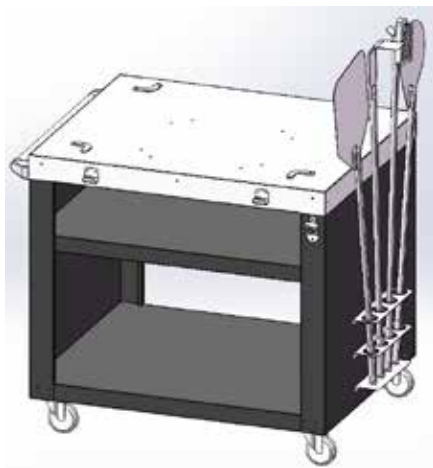
Indulge in the art of outdoor cooking with the DUOMO wood-fired outdoor pizza oven. Crafted to perfection, the DUOMO redefines the way you experience homemade pizzas. The one piece seamless design along with the three stage active heat management system, will transport you to the heart of traditional Italian pizzerias, where the unmistakable smoky aroma and blistered crusts create a culinary journey like no other.



### DUOMO Pizza Oven by Coyote

- 40"
- One Piece Seamless Dome
- Active Heat Management System
- Double Insulation
- Interior Flame Channel
- ThermoShift Chimney System
- Front Smoke Escape Design
- Ceramic Cooking Bricks
- Temperatures up to 1,000 degrees
- 4pc Toolkit Included

| PIZZA OVEN |   |                   |            |
|------------|---|-------------------|------------|
| MODEL      | DESCRIPTION   | TARGET SELL PRICE | MAP        |
| CIPZ40WMB  | 40" DUOMO Pizza Oven, Ceramic Cooking Bricks, Temps up to 1,000 Degrees - Matte Black | \$2,849.00        | \$2,799.00 |
| CIPZ40WC   | 40" DUOMO Pizza Oven, Ceramic Cooking Bricks, Temps up to 1,000 Degrees - Copper      | \$2,849.00        | \$2,799.00 |
| CIPZ40WY   | 40" DUOMO Pizza Oven, Ceramic Cooking Bricks, Temps up to 1,000 Degrees - Yellow      | \$2,849.00        | \$2,799.00 |
| CIPZCART   | Cart for Pizza Oven Includes Tool Holder that mounts to the side                      |                   | \$799.00   |



### Cart for Pizza Oven by Coyote

- 41" W
- 304 Stainless Steel Top
- Black Powder Coated Steel Base
- Tool Rack Holder
- Heavy-duty Casters

| CART FOR DUOMO PIZZA OVEN |  | TARGET SELL PRICE | MAP      |
|---------------------------|--|-------------------|----------|
| CIPZCART                  | Cart for Pizza Oven Includes Tool Holder that mounts to the side |                   | \$799.00 |

## POWER BURNER & SIDE BURNERS



### C1SB - Single Side Burner

- Premium stainless steel construction
- (1) 15,000 BTU brass burner
- Stainless steel cover included



### C1DB - Dual Side Burner

- Premium stainless steel construction
- (2) 15,000 BTU brass burners (30,000 BTU total output)
- Stainless steel cover included



### C1PB (LP/NG) - Coyote Power Burner:

- Dual-valve burner with up to 60,000 BTU output
- Stainless Steel lid included
- Simmer performance at 1,000 BTU
- Teppanyaki/Wok optional
- Overall - 12.75 x 24 x 26

| MODEL       | DESCRIPTION   | TARGET SELL PRICE | MAP        |
|-------------|---|-------------------|------------|
| C1PBLP      | Coyote Power Burner; from 1,000 btu up to 60,000 btu ; LP Gas   | \$1,799.00        | \$1,749.00 |
| C1PBNG      | Coyote Power Burner; from 1,000 btu up to 60,000 btu; Nat'l Gas | \$1,799.00        | \$1,749.00 |
| C1SBLP      | Coyote Single Side Burner; LP Gas                               | \$699.00          | \$649.00   |
| C1SBNG      | Coyote Single Side Burner; Natural Gas                          | \$699.00          | \$649.00   |
| C1DBLP      | Coyote Double Side Burner; LP Gas                               | \$1,049.00        | \$999.00   |
| C1DBNG      | Coyote Double Side Burner; Natural Gas                          | \$1,049.00        | \$999.00   |
| C1CSBLP     | Coyote Single Side Burner for Carts; LP Gas                     | \$949.00          | \$899.00   |
| C1CSBNG     | Coyote Single Side Burner for Carts; Natural Gas                | \$949.00          | \$899.00   |
| ACCESSORIES | DESCRIPTION   |                   | MAP        |
| CJAKTC1SB   | Insulated Jacket for C1SB                                       |                   | \$419.00   |
| CJAKTC1DB   | Insulated Jacket for C1DB                                       |                   | \$459.00   |
| CJAKTC1PB   | Insulated Jacket for C1PB                                       |                   | \$429.00   |
| CCVRPB-BIG  | Cover for Power Burner Gray - NEW- Replaces Black               |                   | \$69.00    |
| CCVRSB-BI   | Cover for Single Side Burner - While Supplies Last              |                   | \$59.00    |
| CCVRSB-BIG  | Cover for Single Side Burner Gray - NEW- Replaces Black         |                   | \$59.00    |
| CCVRDB-BIG  | Cover for Double Side Burner Gray - NEW- Replaces Black         |                   | \$59.00    |
| CTEP        | Teppanyaki Griddle for Power Burner                             |                   | \$529.00   |
| CWOK        | Wok Accessory for Power Burner                                  |                   | \$139.00   |
| COYVENT     | Stainless Steel Island Vent **2 VENTS IN BOX**                  |                   | \$79.00    |
| C1SLV       | Asado/Power Burner Insert Sleeve with Storage Drawer            |                   | \$849.00   |

## ELECTRIC GRILL & PORTABLE GRILL



### C1EL120SM - ELECTRIC GRILL

- One sku for Portable, Built-In or Pedestal version
- Removable frame for built-in application
- Pedestal Stand available (C1ELCT21)
- Cover & 2 Piece Tool Set Included
- Teflon coated cooking surface
- Ceramic flavorizer
- 156 sq. in. cooking area
- 5,000 hour heating element
- 304 stainless steel
- 550° F maximum temperature
- 60 minute safety timer with surge protector
- 120V - 1300W - 11A - 60 Hz

| MODEL   | DESCRIPTION  | TARGET SELL PRICE | MAP        |
|---|--|-------------------|------------|
| C1EL120SM   | Coyote Single Burner 120V Electric Grill ; INCLUDES COVER AND TOOL SET | \$649.00          | \$599.00   |
| C1ELCT21  | Coyote Pedestal Cart for Electric Grill                                |                   | \$299.00   |
| <b>UNIVERSAL CART for Electric Grill. Black powder coated top; propane tank holder, side shelves, 304 Stainless Steel</b> |  |                   |            |
| C2ELISL   | Electric Grill Cart  |                   | \$1,549.00 |
| <b>ACCESSORIES</b>  |  |                   |            |
| CCVREL-BIG  | Cover Electric Grill Gray  |                   | \$59.00    |



### C1PORTLP - PORTABLE GRILL

- 200 sq. in. cooking area
- 316 marine grade stainless steel
- Signature grate cooking surface
- Ceramic flavorizer
- One Infinity Burner™ - capable of up to 20,000 BTU's
- 700° F maximum temperature
- Can be used with either a 20lb propane tank or a small propane canister (adapter included)
- Removable drip tray for easy cleaning

| MODEL              | DESCRIPTION  | TARGET SELL PRICE | MAP      |
|--------------------|--|-------------------|----------|
| C1PORTLP           | Coyote Portable Grill; Infinity burner up to 20,000 btu; LP Gas ONLY | \$649.00          | \$599.00 |
| <b>ACCESSORIES</b> |  |                   |          |
| CCVRPG-CTG         | Cover for Portable Grill Gray - NEW- Replaces Black                  |                   | \$39.00  |

# UNIVERSAL CARTS & WARMING DRAWER



| UNIVERSAL CART for Asado, Power Burner or Refreshment Center |  | TARGET SELL PRICE | MAP        |
|--|--|-------------------|------------|
| C2UNCT   | Universal Cart fits (1) of the following: Asado, Power Burner or Refreshment Ctr |                   | \$1,999.00 |



**CWD- Warming Drawer**

- Premium stainless steel construction
- 30" overall width
- Electric heating element
- Outdoor certified

| MODEL | DESCRIPTION        | TARGET SELL PRICE | MAP        |
|-------|--------------------|-------------------|------------|
| CWD   | 30" Warming Drawer | \$1,649.00        | \$1,599.00 |



## STORAGE PRODUCTS AND ACCESSORIES

**Access Doors - All access doors are made of rigid, premium stainless steel with a consistent beveled trim and professional handles.**



### CDA2426

- Integrated door handles
- Magnetic latches for easy closing
- Rigid construction to ensure strength and longevity
- 304 S/S construction / Beveled Trim Kit



### CDA2431

- Paper towel holder inside door
- Integrated door handles
- Magnetic latches for easy closing
- Rigid construction to ensure strength and longevity
- 304 S/S construction / Beveled Trim Kit



### CDA2436

- Paper towel holder inside door
- Integrated door handles
- Magnetic latches for easy closing
- Rigid construction to ensure strength and longevity
- 304 S/S construction / Beveled Trim Kit



### CDA2439

- Paper towel holder inside door
- Integrated door handles
- Magnetic latches for easy closing
- Rigid construction to ensure strength and longevity
- 304 S/S construction / Beveled Trim Kit



### CSA1420

- Stainless Steel Finish
- 14" hinge side access door
- 304 S/S construction / Beveled Trim Kit



### CSA2417

- Stainless Steel Finish
- 24" hinge side access door
- 304 S/S construction / Beveled Trim Kit



### CSA2014

- Stainless Steel Finish
- 20" hinge side access door
- 304 S/S construction / Beveled Trim Kit



### CSA1724

- Stainless Steel Finish
- 17" hinge side access door
- 304 S/S construction / Beveled Trim Kit

| MODEL   | DESCRIPTION                  | MAP      |
|---------|------------------------------|----------|
| CDA2426 | 26" Double Access Door       | \$349.00 |
| CDA2431 | 31" Double Access Door       | \$379.00 |
| CDA2436 | 36" Double Access Door       | \$399.00 |
| CDA2439 | 39" Double Access Door       | \$429.00 |
| CSA1420 | Single Access Door 14" x 20" | \$319.00 |
| CSA1724 | Single Access Door 17" x 24" | \$349.00 |
| CSA2014 | Single Access Door 20" x 14" | \$319.00 |
| CSA2417 | Single Access Door 24" x 17" | \$349.00 |



## STORAGE PRODUCTS AND ACCESSORIES

All cabinets are made of rigid, premium stainless steel with a consistent beveled trim and professional handles. All drawers use easy open rollers.



### C2DC - Two-Drawer Cabinet

- Easy open drawers
- Large storage space within each drawer
- 304 S/S construction
- Beveled Trim Kit



### C3DC - Three-Drawer Cabinet

- Extended drawers on rollers facilitates smooth operation
- Rigid welded-construction to ensure strength and longevity
- Professional-style door handles
- 304 S/S construction
- Beveled Trim Kit



### CPOD - LP Pullout Drawer

- Extendable drawers on rollers
- Interior of drawer includes cut-out to secure tank
- Can be used to hold a garbage can
- Professional-style door handle
- 304 S/S construction
- Beveled Trim Kit



### CPTH -Paper Towel Holder

- Stainless steel construction
- Fits any size paper towel
- Convenient and easy to install
- 304 S/S construction
- Beveled Trim Kit



### CSSD - Single Storage Drawer with Shelf

- Easy open drawer
- Additional shelf space within drawer
- Large storage space
- 304 S/S construction
- Beveled Trim Kit



### CSSD - PELLET STORAGE DRAWER

- Fully gasketed, water-proof drawer

| MODEL  | DESCRIPTION                               |  | MAP      |
|--------|---|--|----------|
| C2DC   | 2 Drawer Cabinet                          |  | \$649.00 |
| C3DC   | 3 Drawer Cabinet                          |  | \$749.00 |
| CPOD   | Pull Out Drawer (Trash or LP Tank Drawer) |  | \$439.00 |
| CPTH   | Paper Towel Holder                        |  | \$169.00 |
| CSSD   | Single Storage Drawer                     |  | \$749.00 |
| CSSD28 | 28" Single Storage Drawer                 |  | \$799.00 |
| CSSD36 | 36" Single Storage Drawer                 |  | \$899.00 |

## COMBINATION STORAGE SOLUTIONS



**COMBO DRAWERS**  
Model No. CCD-POD



**COMBO DRAWERS**  
Model No. CCD-2DC



**COMBO DRAWERS**  
Model No. CCD-WD



**31" SINGLE DOOR  
AND 2 DRAWERS**  
Model No. CCD-2DC31



**31" DRY PANTRY  
WITH DRAWERS**  
Model No. CDPC31



**SINGLE PULL  
OUT TRASH AND  
RECYCLE**  
Model No. CSTC



**PULL OUT TRASH  
AND RECYCLE**  
Model No. CTC



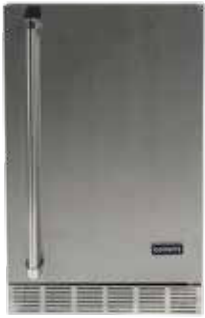
**PULL OUT TRASH  
AND RECYCLE  
FRONT/BACK  
DOUBLE BINS**  
Model No. CFBTRC



**SPICE RACK**  
Model No.  
CSPRK

| MODEL     | DESCRIPTION  |  | MAP        |
|-----------|--|--|------------|
| CCD-POD   | Combo Pull Out Drawer plus Double Access Doors                                     |  | \$899.00   |
| CCD-2DC   | Combo Two Drawer Cabinet plus Double Access Doors                                  |  | \$999.00   |
| CCD-WD    | Combo Warming Drawer plus Single Pullout Drawer                                    |  | \$1,999.00 |
| CCD-2DC31 | 31" Combo Door and Drawer  |  | \$999.00   |
| CDPC31    | 31" Dry Pantry   |  | \$1,299.00 |
| CTC       | Pull Out Trash and Recycle   |  | \$729.00   |
| CSTC      | Pull Out Trash and Recycle - Single Bin  |  | \$529.00   |
| CFBTRC    | Pull Out Trash and Recycle - Front / Back Double Bins; includes (2) 13 gallon bins |  | \$729.00   |
| CSPRK     | Spice Rack   |  | \$459.00   |

## REFRIGERATION, DROP-IN COOLERS AND SINK



### CBIR - Outdoor Refrigerator

- Outdoor rated, freestanding refrigerator with automatic defrost
- Large Shelves
- Interior Light
- 304-S/S construction
- Left Or Right Hinge Swing
- Capacity Of 4.1 Cu Ft



### C1BIR24 - Outdoor Refrigerator

- Outdoor Rated, Free-Standing Refrigerator
- Automatic Defrost
- Stainless Steel Exterior
- Capacity Of 5.5 Cu Feet
- Interior Light And Adjustable Thermostat
- Front Vented For Built-In Application
- Left Or Right Hinge Swing

| MODEL     | DESCRIPTION  | TARGET SELL PRICE | MAP        |
|-----------|--|-------------------|------------|
| CBIR-R    | 21" Built-in Outdoor Refrigerator; Hinge on Right Side | \$1,399.00        | \$1,349.00 |
| CBIR-L    | 21" Built-in Outdoor Refrigerator; Hinge on Left Side  | \$1,399.00        | \$1,349.00 |
| C1BIR24-R | 24" Built-in Outdoor Refrigerator; Hinge on Right Side | \$1,749.00        | \$1,699.00 |
| C1BIR24-L | 24" Built-in Outdoor Refrigerator; Hinge on Left Side  | \$1,749.00        | \$1,699.00 |
| CBIR21TK  | 21" Refrigerator Trim Kit                              |                   | \$99.00    |
| C1BIR24TK | 24" Refrigerator Trim Kit                              |                   | \$120.00   |



### CRC - Refreshment Center

- Premium stainless steel construction
- 30" overall width



### CDIC - Drop-In Cooler

- Stainless steel construction
- Fully-insulated
- Holds cans and/or bottles
- Drain hole included



### CPOC - Pull Out Ice Chest

- Contains Condiment Trays
- Drain hole included
- Capacity Of 3.8 Cu Ft



### C1SINK1618 - SINK

- Universal Mount
- 304 Stainless Steel
- 16" W x 18" D
- Drain & Strainer Included

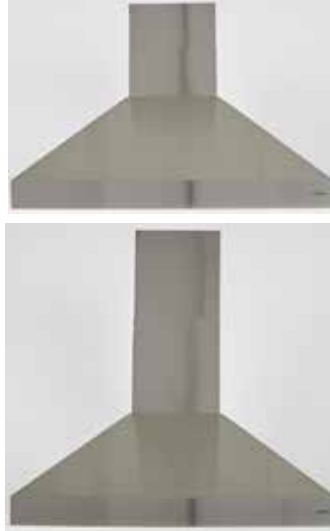


### CFHSINK - FARMHOUSE SINK

- Farmhouse Apron Front Style
- 304 Stainless Steel Construction
- Drain, Faucet, Strainer & Stainless Steel Cover Included

| MODEL      | DESCRIPTION   | TARGET SELL PRICE | MAP        |
|------------|---|-------------------|------------|
| CRC        | Refreshment Center  |                   | \$1,499.00 |
| CDIC       | Drop In Cooler  |                   | \$699.00   |
| CPOC       | Pull Out Ice Chest  |                   | \$999.00   |
| C1SINK1618 | Sink - Universal Mount - order faucet separately                            |                   | \$499.00   |
| C1SINKF21  | 21" Sink with Faucet, Drain and Soap Dispenser                              |                   | \$899.00   |
| CFHSINK    | Farmhouse Stainless Steel Sink; Drain, Faucet, Strainer & SS Cover Included | \$1,049.00        | \$999.00   |

# VENTILATION



## FEATURES

- Grill matching sizes
- Extra deep 30" design for outdoor use
- 304 stainless steel construction
- UL rted
- Variable speed control with lighted on/off
- Heat sentry for greater reliability
- Bright halogen lighting
- Easy to clean baffle filters
- Removable grease drip rail
- Complete unit includes; 1 Chimney Hood, 1 Flue Cover and 1 - 1200 CFM Blower
- Complete unit includes; 1 Liner and 1 - 1200 CFM Blower

| MODEL      | DESCRIPTION  | TARGET SELL PRICE | MAP        |
|------------|--|-------------------|------------|
| C1HOOD36   | 36" W x 30" D Chimney Hood - MUST PURCHASE BLOWER SEPARATELY |                   | \$1,859.00 |
| C1HOOD42   | 42" W x 30" D Chimney Hood - MUST PURCHASE BLOWER SEPARATELY |                   | \$2,100.00 |
| C1HOOD48   | 48" W x 30" D Chimney Hood - MUST PURCHASE BLOWER SEPARATELY |                   | \$2,415.00 |
| C1LINER36  | 36" W x 30" D Insert - MUST PURCHASE BLOWER SEPARATELY       |                   | \$1,715.00 |
| C1LINER42  | 42" W x 30" D Insert - MUST PURCHASE BLOWER SEPARATELY       |                   | \$1,940.00 |
| C1LINER48  | 48" W x 30" D Insert - MUST PURCHASE BLOWER SEPARATELY       |                   | \$2,109.00 |
| C1BLOW1200 | 1200 CFM Blower  | \$735.00          | \$685.00   |
| C1FLUE8    | Low Flue (for ceilings 8' - 8'6" in height)                  |                   | \$400.00   |
| C1FLUE10   | Medium Flue (for ceilings 8'6" - 9'8" in height)             |                   | \$475.00   |
| C1FLUE12   | High Flue (for ceilings 9'8" - 12'0" in height)              |                   | \$690.00   |

# COYOTE

Outdoor Living



[www.coyoteoutdoor.com](http://www.coyoteoutdoor.com)