

SEAR BURNER CONVERSION KIT AGCK-SB



IMPORTANT - READ ALL INSTRUCTIONS BEFORE YOU BEGIN

THE INSTRUCTIONS HEREIN SHOULD BE PERFORMED BY A QUALIFIED SERVICE TECHNICIAN. THE GRILL MUST BE COMPLETELY COOL AND THE PREVIOUS GAS SOURCE MUST BE SHUT OFF OR REMOVED BEFORE ATTEMPTING BURNER CONVERSION.

Some parts inside your grill have sharp edges. Care must be taken when handling the various components to avoid personal injury. Wear gloves when handling.

TOOLS REQUIRED:

- Work gloves
- Safety glasses
- Power drill with socket attachment
- Phillips screwdriver
- 5/16" deep socket wrench or nut driver
- 1/2" deep socket wrench with short extension

DANGER

If you smell gas:

1. Shut off gas to the appliance.
2. Extinguish any open flame.
3. Open lid.
4. If odor continues, keep away from the appliance and immediately call your gas supplier or your fire department.

DANGER

1. Do not store or use gasoline or other flammable liquids or vapors in the vicinity of this or any other appliance.
2. An LP cylinder not connected for use shall not be stored in the vicinity of this or any other appliance.

WARNING

IF THE INFORMATION IN THIS MANUAL IS NOT FOLLOWED EXACTLY, A FIRE OR EXPLOSION MAY RESULT CAUSING PROPERTY DAMAGE, PERSONAL INJURY, OR DEATH.

WARNING

Flammable Gas - disconnect all propane or natural gas supplies to this unit before servicing.

WARNING

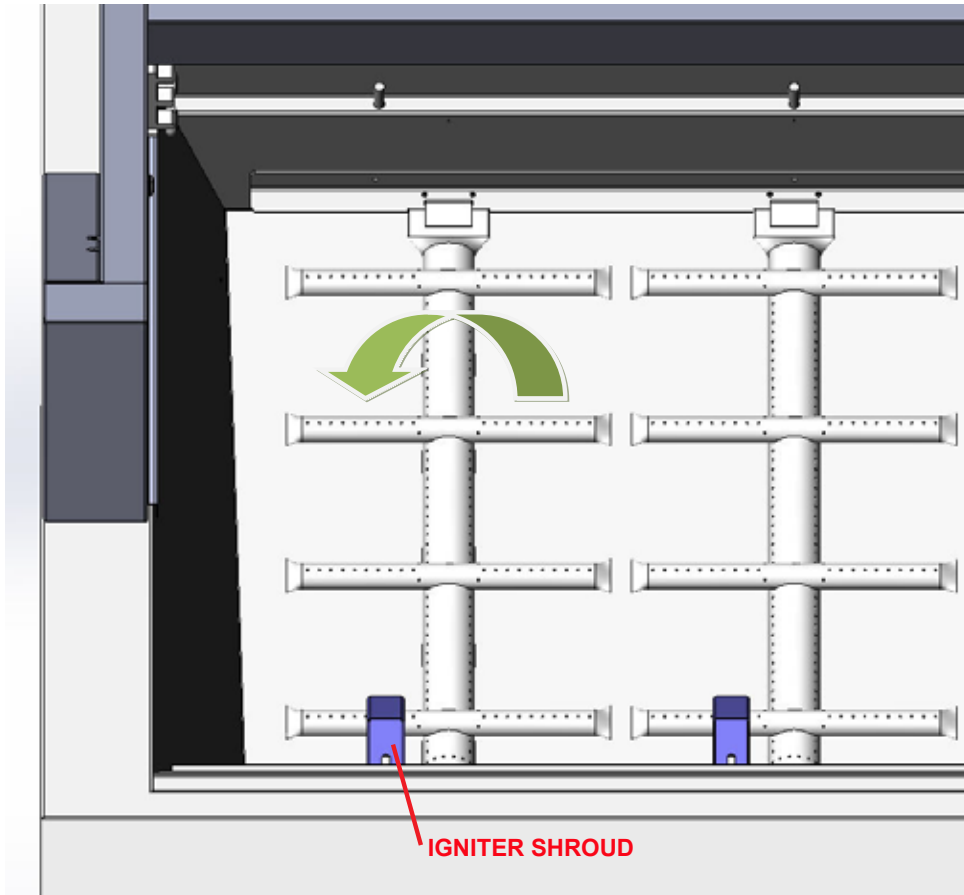
Electrical Parts & Components – disconnect all power supplies and batteries before servicing.

READ THIS MANUAL CAREFULLY AND COMPLETELY BEFORE USING YOUR GRILL TO REDUCE THE RISK OF FIRE, BURN HAZARD, OR OTHER INJURY. KEEP THIS MANUAL FOR FUTURE REFERENCE.

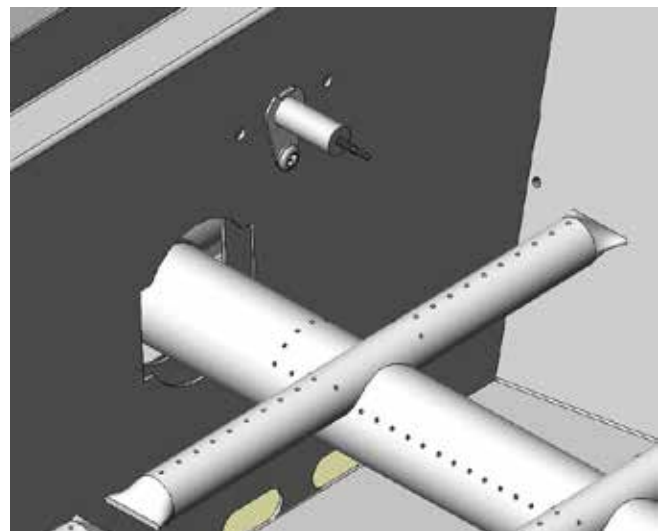
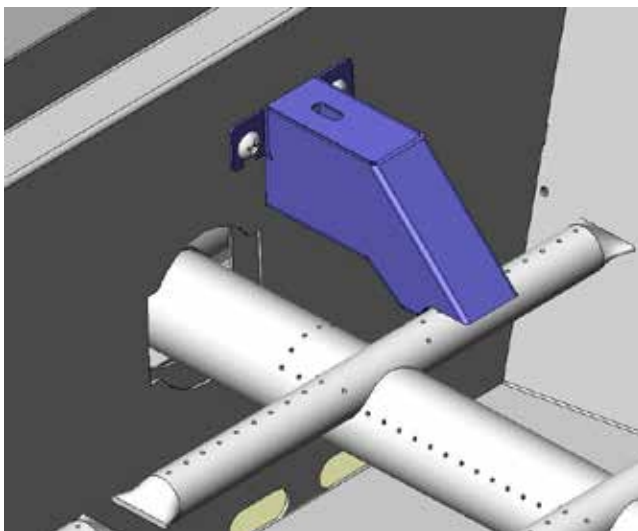


BURNER REMOVAL

1. Open your grill and remove the cooking grates and radiant trays. Trellis burners are removed by lifting up the rear of the burner, and carefully twisting to clear the igniter shroud. Also remove the control knobs and drip pan.



2. You will also need to remove the igniter shroud for the burner you are changing out. Remove both screws shown to reveal the ceramic igniter. Be careful not to damage the ceramic material, it can snap off during reassembly..



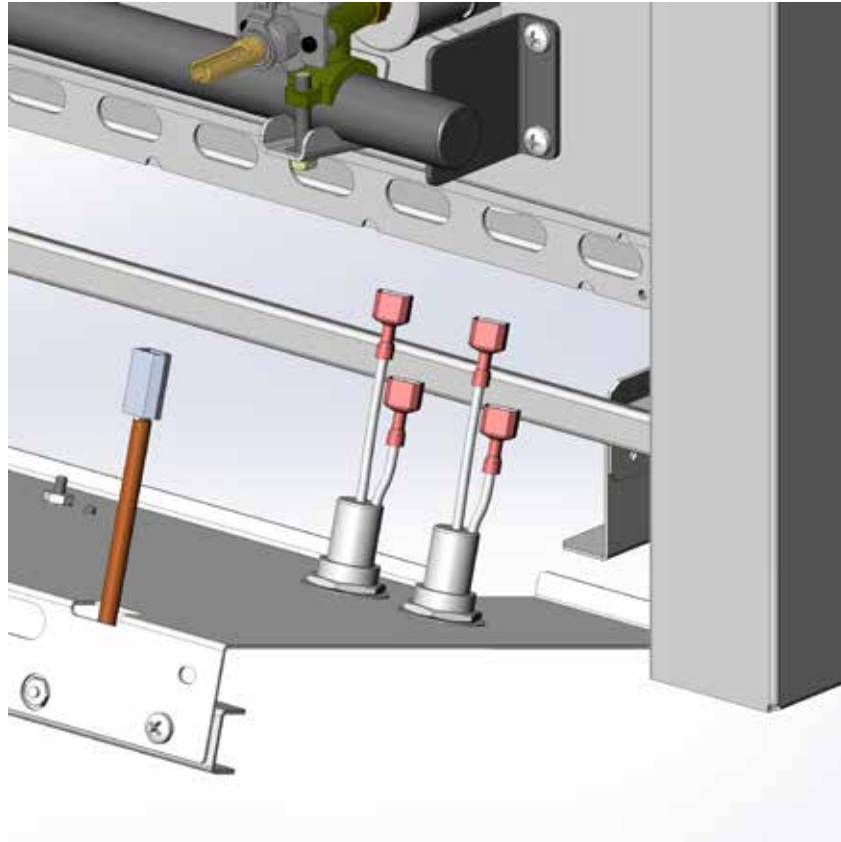
CHANGING ORIFICES (LP UNITS ONLY)



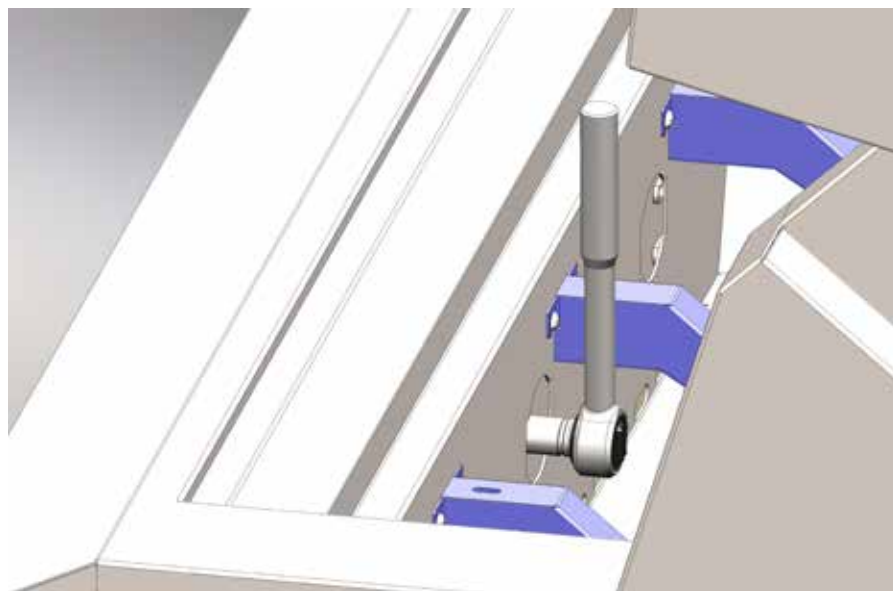
IF YOUR GRILL HAS NATURAL GAS FUEL (NG), SKIP THIS SECTION AND PROCEED TO SEAR BURNER INSTALLATION

EN

1. Remove the screws securing the control panel to the front of the grill. Carefully tilt down the control panel being careful not to damage the wires to the switches and LED light bar. Pull off the connectors to the switches and the LED light bar at this time. Remove the control panel from the grill and set aside.



2. Before removing the main burner orifices, take a visual note as to how far the orifice is installed onto the valve body. The orifices are removed with a 1/2" deep socket wrench. Use even pressure to break loose the old orifice and remove from the valve.

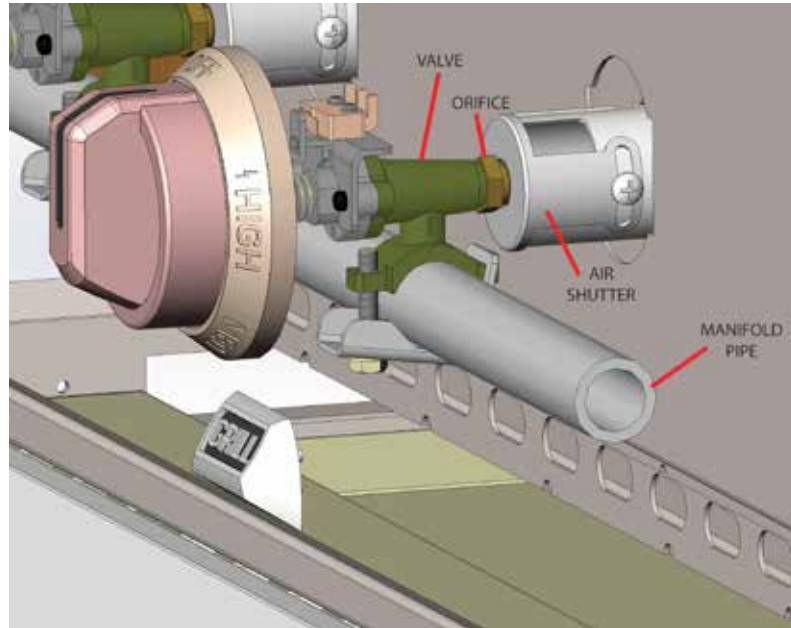




CHANGING ORIFICES (LP UNITS ONLY) *(continued)*

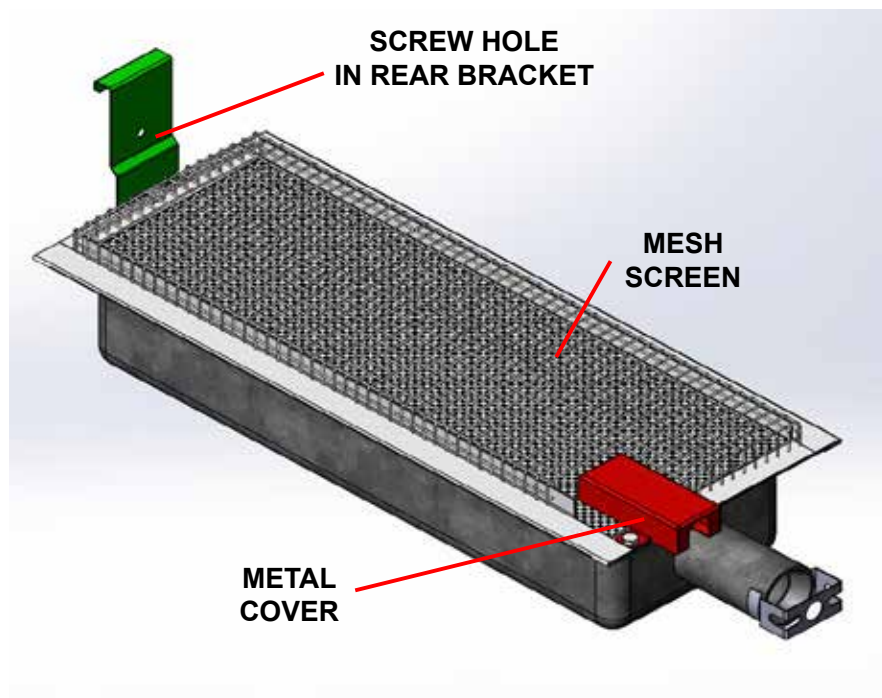
3. The new LP orifice was supplied with this kit - the orifice size is stamped on the body of the orifice. If necessary, consult the chart at the end of this manual for what size is used on each burner type. This is also a good time to clean and inspect the burners for clogged ports, debris, spider webs, etc.

Install the orifice slowly to avoid cross-threading and damaging the threads. The orifice will become noticeably harder to turn as you proceed. Make frequent visual checks of the orifice as it goes onto the valve. As shown below, the orifice is nearly bottomed-out on the valve body. You want to tighten all the orifices equally so they are all seated the same distance. Use a burner to check the orifice is properly seated. As shown, the burner should fully seat with the orifice protruding into the air shutter as far as possible. The burner should rest flat on the burner hanger at the back of the firebox.



SEAR BURNER INSTALLATION

1. Before installation, remove the mesh screen and metal cover on the Sear Burner. This will make installation easier.

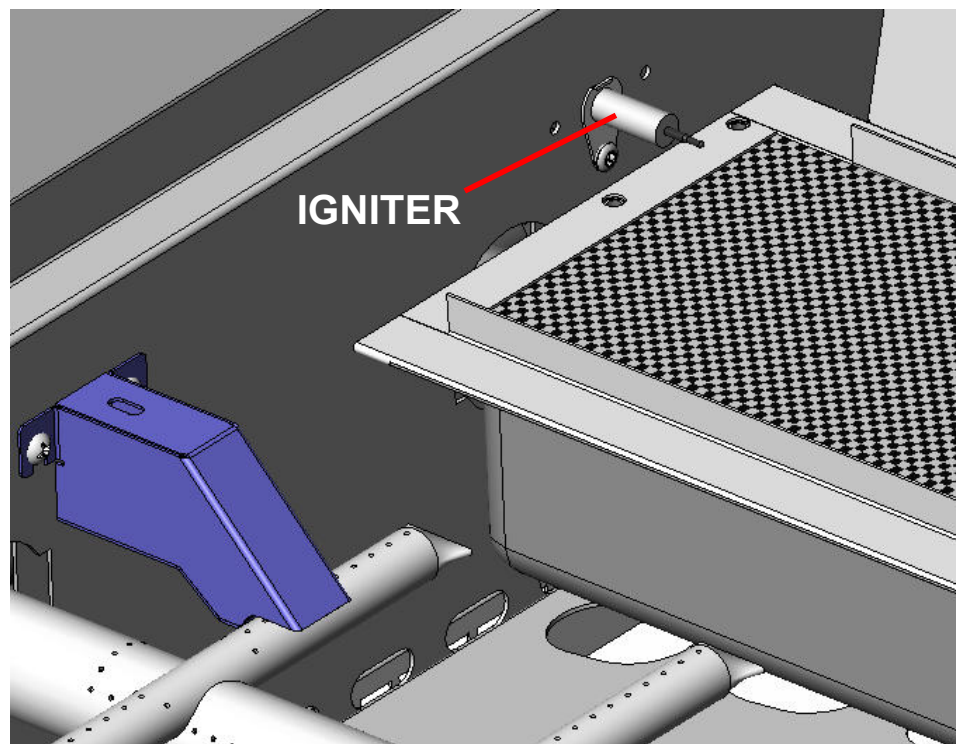


SEAR BURNER INSTALLATION *(continued)*

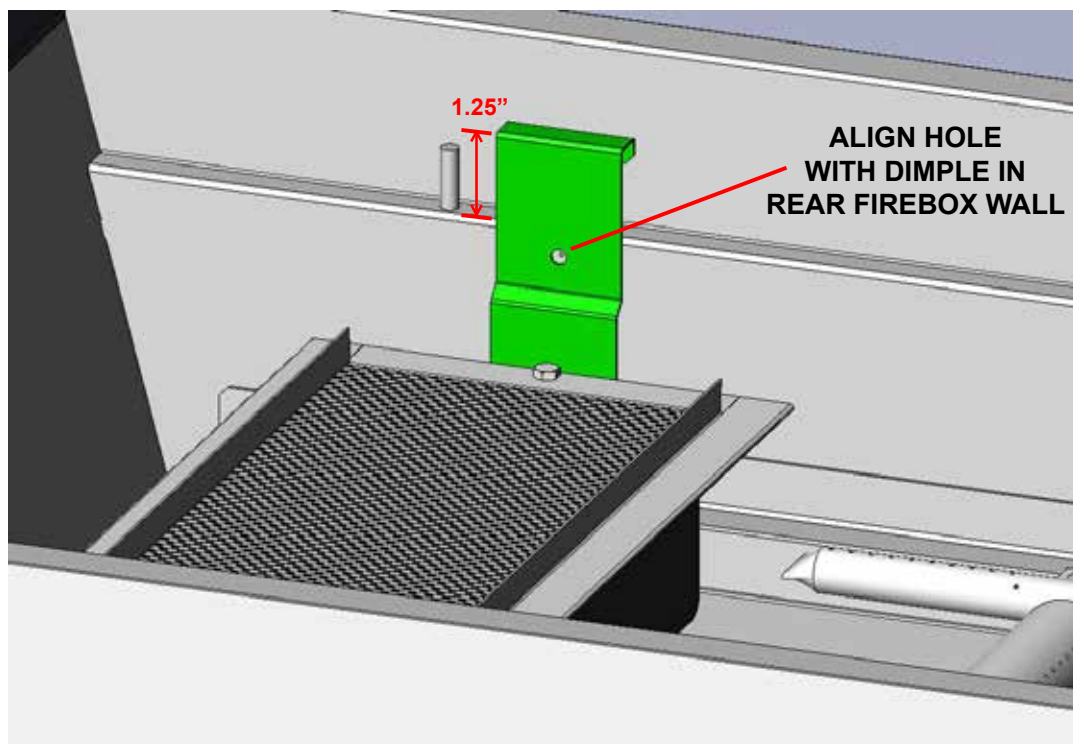


EN

2. Install the burner onto the valve / orifice so that it fully seats. **BE CAREFUL TO AVOID THE CERAMIC IGNITER - IT CAN SNAP OFF !!!**



3. With the burner fully inserted, align the hole in the rear bracket with the tiny dimple in the rear firebox wall. If your grill has no dimple, visually align the burner while maintaining the 1.25" vertical distance as shown below. Use a power drill with 5/16" socket to install the self-drilling screw into the rear wall of the firebox. This will secure the sear burner in place. Go slowly - do not strip the threads or the new hole. Replace the metal cover and mesh screen you removed in step 1.



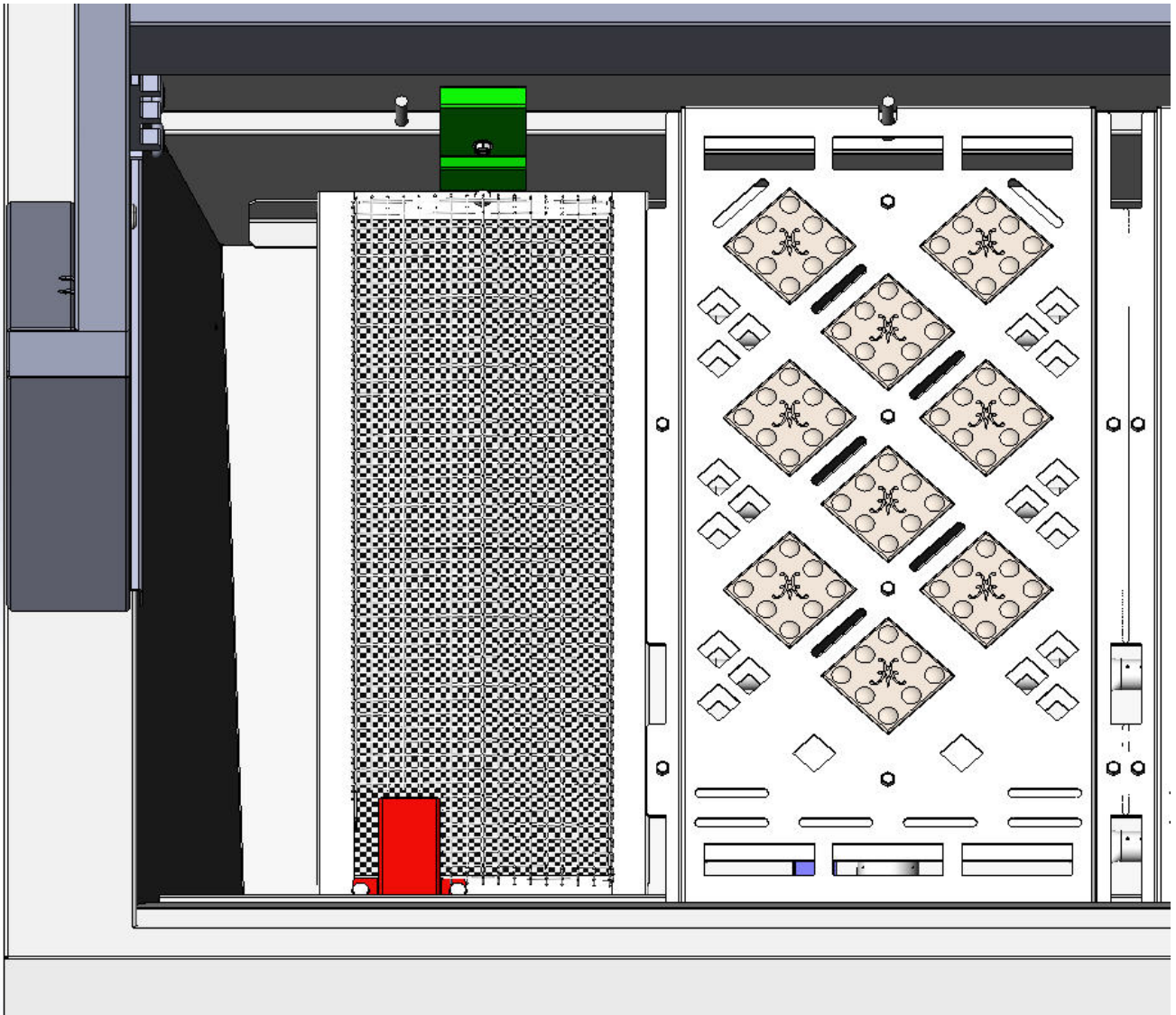


SEAR BURNER INSTALLATION *(continued)*

4. Proceed to the TESTING & ADJUSTMENT section of this manual to assure your new burner is properly leak tested and adjusted (if needed). You may then reinstall the control panel, knobs, drip pan, radiant trays, and cooking grates.



DO NOT INSTALL A RADIANT TRAY OVER THE SEAR BURNER. ONLY TRELIS AND U-BURNERS REQUIRE A RADIANT TRAY.



TESTING & ADJUSTMENT



LEAK TESTING

GENERAL

A complete gas tightness check must be performed of all gas-carrying components due to possible movement during installation, or excessive pressure unknowingly being applied to parts of the unit.

BEFORE TESTING

- Do not smoke while leak testing.
- Never leak test with an open flame.
- Make a soap solution of one part liquid detergent and one part water for leak testing purposes.
- Apply the solution to the gas fittings by using a spray bottle or a brush.
- For LP units, always check with a full LP cylinder.

TO TEST

- Make sure all control valves are in the "OFF" position.
- Apply the soap solution described above to all fittings.
- Turn the gas supply on.
- Check all connections from the supply line, or LP cylinder up to and including the manifold pipe assembly.
- Soap bubbles will appear where a leak is present. If a leak is present, immediately turn off gas supply, tighten any leaking fittings, turn the gas supply back on, and recheck.
- If you cannot stop a gas leak, turn off the gas supply and call the dealer where you purchased your grill.
- Do not use the grill until all connections have been checked and do not leak.

IMPORTANT NOTE - ALWAYS CHECK FOR LEAKS AFTER EVERY LP CYLINDER CHANGE.

BURNER / VALVE ADJUSTMENTS

Consult the GAS CONNECTIONS section of your Hestan outdoor appliance for full instructions on burner adjustments, flame appearance, air shutter adjustment, and valve adjustments. This step is very important to ensure successful burner performance after conversion to the new fuel type, or changing orifices for high altitude locations.

Hestan Outdoor Orifice Chart

| Equipment | Burner Type | Gas Type | Rate Per Burner (BTU/hr) | ORIFICE SIZE | | | Air Shutter Opening (inch) |
|-------------------|----------------|----------|--------------------------|----------------------------|----------------------------------|------------------------------------|----------------------------|
| | | | | Sea Level - 1999 ft (609m) | 2000 ft (609m) - 5999 ft (1829m) | 6000 ft (1829m) - 10000 ft (3048m) | |
| 30" Outdoor Grill | Trellis Burner | NG | 25,000 | 42 | 43 | 45 | 5/16 |
| | | LP | 25,000 | 53 | 54 | 55 | 3/8 |
| | Sear Burner | NG | 25,000 | 42 | 43 | 45 | N/A |
| | | LP | 22,000 | 54 | 55 | 56 | N/A |
| | Rotiss | NG | 12,000 | 51 | 52 | 53 | N/A |
| | | LP | 11,000 | 60 | 62 | 64 | N/A |
| 36" Outdoor Grill | Trellis Burner | NG | 25,000 | 42 | 43 | 45 | 5/16 |
| | | LP | 25,000 | 53 | 54 | 55 | 3/8 |
| | Sear Burner | NG | 25,000 | 42 | 43 | 45 | N/A |
| | | LP | 22,000 | 54 | 55 | 56 | N/A |
| | Rotiss | NG | 14,000 | 50 | 51 | 52 | N/A |
| | | LP | 13,000 | 57 | 59 | 62 | N/A |
| 42" Outdoor Grill | Trellis Burner | NG | 25,000 | 42 | 43 | 45 | 5/16 |
| | | LP | 25,000 | 53 | 54 | 55 | 3/8 |
| | Sear Burner | NG | 25,000 | 42 | 43 | 45 | N/A |
| | | LP | 22,000 | 54 | 55 | 56 | N/A |
| | Rotiss | NG | 18,000 | 45 | 47 | 49 | N/A |
| | | LP | 18,000 | 56 | 57 | 59 | N/A |

RETAIN THIS MANUAL FOR FUTURE REFERENCE



Hestan Commercial Corporation

3375 E. La Palma Ave
Anaheim, CA 92806
(888) 905-7463